



# [ Ellipse Chair ]

The fully integrated urodynamic measurement system

# [ Ellipse Chair ]

## Maximum precision and ergonomic comfort in urodynamics

### Fully integrated and well thought out in every detail

The concept behind this fully integrated urodynamic measurement system: All analysis functions are permanently installed in the urogynaecological chair, including the flow system, catheter puller and pressure transducers. These move to follow any alterations to the position of the chair. The Ellipse Chair allows the entire range of urodynamic analyses to be completed in one sitting.

#### *Further benefits:*

- Measurement in a seated, lying or standing position
- Reproducible high-quality measurement results
- Minimisation of artefacts
- More relaxed examination procedure for the patient

A host of other cost-efficiency factors add more arguments in favour of the Ellipse Chair:

- Brief, comfortable and cost-efficient examinations
- Short set-up and reconfiguration
- Multi-purpose use through optional features



#### **Ellipse central control unit**

The Ellipse control unit lies at the heart of the urodynamic measurement system. Doctors will find it extremely easy to operate the position- and pressure-sensitive membrane control panel. All ICS standard examinations can be carried out simply and comfortably.





**Volume transducer**

Designed for use with two infusion bottles. A continuously variable H<sub>2</sub>O pump accurately controls infusion volume down to a tolerance of less than 5ml/min.



**Catheter puller**

Used to generate urethra pressure profiles. Pull speed can be regulated and the puller can be optimally aligned to the patient's urethra.



**Pressure transducers**

These are firmly attached to the chair and at kept level with the patient's bladder when the position of the chair is changed. Pressure artefacts are practically eliminated.



The puller bow can be sterilised and used with the MTC connection as a catheter or tube holder in cystometry.

**Well connected**

The Ellipse Chair is equipped with interfaces for an external monitor and keyboard as well as for Ethernet or WIRELESS network connections.



**Combination with AUDACT**

AUDACT is an analysis software and database used to administrate and document urodynamic measurements.

»AUDACT Free« is an introductory version of the software supplied free of charge with every Ellipse system.

»AUDACT Pro« offers maximum convenience and flexibility in the analysis and administration of measurements.

»AUDACT Video« perfects what is possible in urodynamic measurements by synchronously combining measurement values with video sequences.



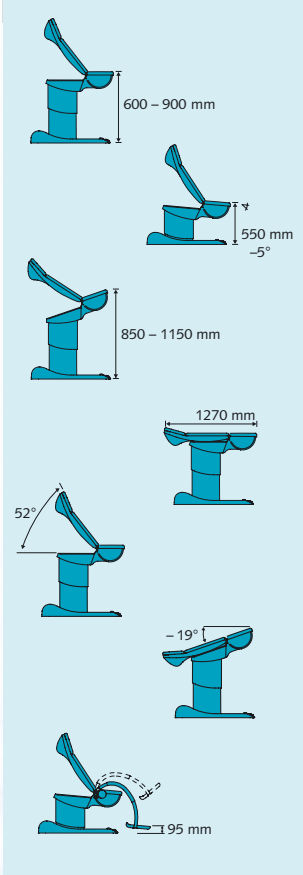
**Flow system**

Precisely positioned beneath the cut-out in the seat cushion – ideal for measurements in a seated position. Can be swivelled outwards for micturition measurements in the standing position.



The extremely high resolution of measurement readings makes it possible to display uroflow volumes of just 1ml.

# [ Ellipse Chair ]



## Details

### Ellipse technical specifications

- 8 pressure channels
- 2 flow channels
- 2 EMG channels
- 1 volume channel
- Measurement routines: user-defined, unlimited number
- H2O roller pump: integrated in the basic unit  
pump velocity: 1 – 200ml/min.
- File format: ICS standard
- Optional: CC-EMG module, CLiPPER, wireless communication
- Power supply: 90 - 240 V AC, 50 - 60 Hz
- Certification: CE, FDA, JIS

### Measurement methods

- Flow measurement based on ICS terminology
- EMG flow measurement with useful sound effects (bio-feedback)
- Cystometry (Pves, Pabd, Pdet) using external pressure transducers and microtip catheters (MTC)
- Pressure flow measurement without reselection of programmed routine
- Urethra pressure profiles under calm and stress conditions
- Cough Leak Point (CLP)

## Zubehör



**Support bracket**  
places backrest at 80° angle



**Leg rest**  
inserted into seat, cushioned, nominal weight load 50 kg



**Kreiselspülung**  
round, nickel-chromium steel



**Collection sieve**  
round, nickel-chromium steel, for Kreiselspülung



**Ergo-Steps**  
Leg support system with adjustable rests for heel and calve



**Catheters for all methods of urodynamic measurement**

Andromeda offers a comprehensive range of catheters and other stock articles suitable for use with the Ellipse system.

**ANDROMEDA**  
**medizinische Systeme GmbH**  
Wallbergstrasse 5  
D-82024 Taufkirchen/Potzham  
Tel. +49 (0)89/614 156 0  
Fax +49 (0)89/614 156 11  
E-Mail: info@andromeda-ms.de  
www.andromeda-ms.de

Your authorised ANDROMEDA dealer